

E021H/E121H SERIES

6.35mm PITCH WIRE TO BOARD CONNECTOR

● Specifications

Current rating: 13A AC,DC

Voltage rating: 600V AC,DC

Temperature range: -25° C to+85° C

(including temperature rise)

Contact resistance: Initial value/10 m Ω Max.

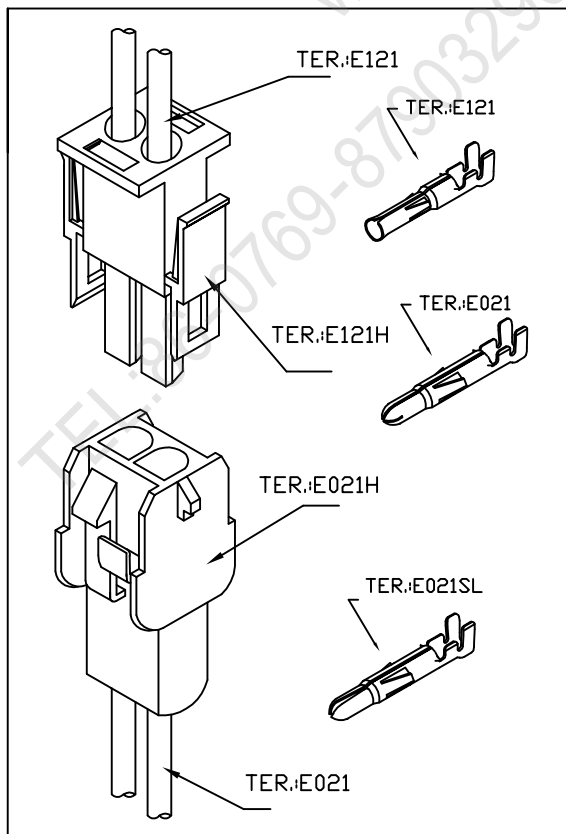
After environmental testing/20m Ω Max.

Insulation resistance: 1000M Ω MIN.

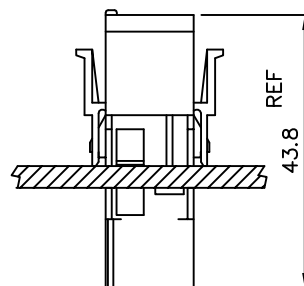
Withstanding voltage:1500V AC/minute

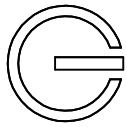
Applicable wire: AWG#16-20

● Standards



Assembly layout



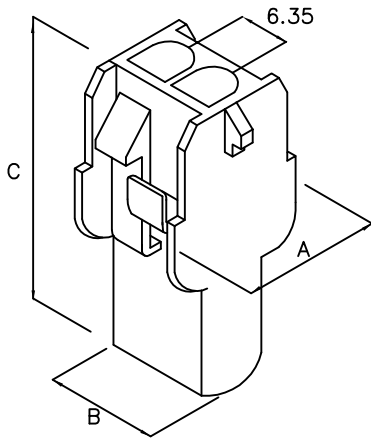


E021H CRIMP HOUSING

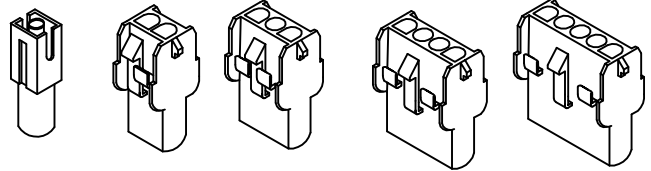
Features:

MAT'L: NYLON 66 UL94 V-2
 MATES WITH: E021 SERIES TERMINAL
 MATES WITH: E121H SERIES HOUSING

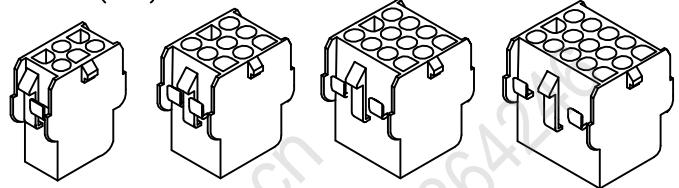
unit:mm



E021H-01 E021H-02(1X2) E021H-03(1X3) E021H-04(1X4) E021H-05(1X5)



E021H-06(3X2) E021H-09(3X3) E021H-12(3X4) E021H-15(3X5)



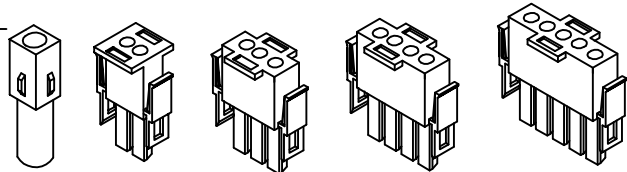
PRAT NO	A	B	C
E021H-01	9.6	7.5	27.7
E021H-02(1X2)	15.7	14.0	27.4
E021H-03(1X3)	15.7	20.3	27.4
E021H-04(1X4)	15.7	26.6	27.4
E021H-05(1X5)	15.7	33.0	27.4
E021H-06(3X2)	28.5	14.0	27.4
E021H-09(3X3)	28.5	20.3	27.6
E021H-12(3X4)	28.5	26.7	27.6
E021H-15(3X5)	28.5	33.0	27.6

E121H CRIMP HOUSING

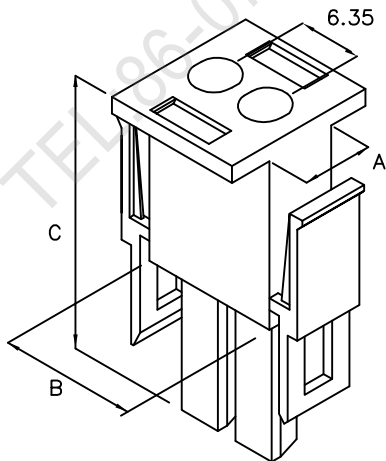
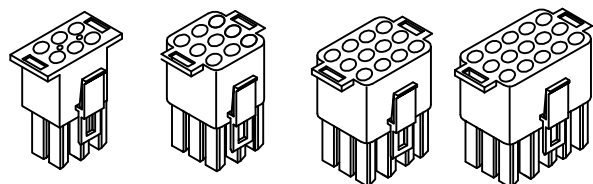
Features:

MAT'L: NYLON 66 UL94 V-2
 MATES WITH: E121 SERIES TERMINAL
 MATES WITH: E021 SERIES HOUSING

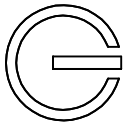
E121H-01 E121H-02(1X2) E121H-03(1X3) E121H-04(1X4) E121H-05(1X5)



E121H-06(3X2) E121H-09(3X3) E121H-12(3X4) E121H-15(3X5)



PRAT NO	A	B	C
E121H-01	7.4	7.4	28.0
E121H-02(1X2)	7.6	14.0	27.4
E121H-03(1X3)	7.6	20.3	27.4
E121H-04(1X4)	7.6	26.6	27.4
E121H-05(1X5)	7.6	33.0	27.4
E121H-06(3X2)	20.2	14.0	27.9
E121H-09(3X3)	20.2	20.2	27.9
E121H-12(3X4)	20.2	26.7	27.9
E121H-15(3X5)	20.2	33.0	27.4



E021 CRIMP TERMINAL

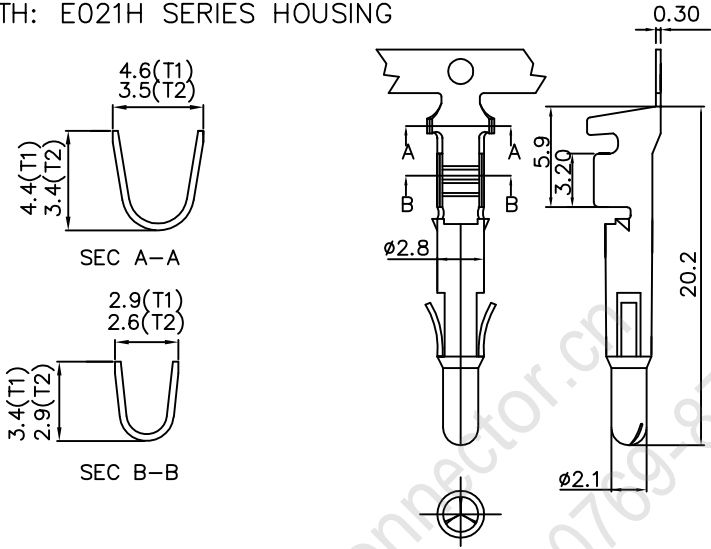
unit:mm

E021

Features:

THICKNESS: 0.30mm

MATES WITH: E021H SERIES HOUSING



Part No	Wire Range	Insulation O.D.	Material	Finish	Qty/reel
E021T1	AWG#20-14	3.4mm (max)	PHOSPHOR	Tin-plated	4000
E021T2	AWG#24-18	3.4mm (max)	PHOSPHOR	Tin-plated	7000

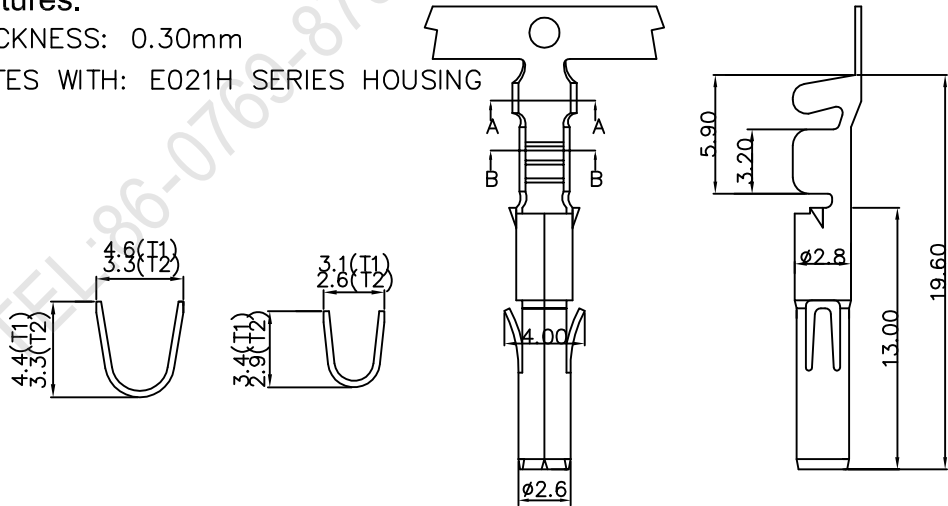
E121 CRIMP TERMINAL

E121

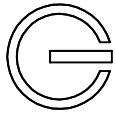
Features:

THICKNESS: 0.30mm

MATES WITH: E021H SERIES HOUSING



Part No	Wire Range	Insulation O.D.	Material	Finish	Qty/reel
E121T1	AWG#20-14	3.4mm (max)	BROSPHOR	Tin-plated	4000
E121T2	AWG#24-18	3.4mm (max)	BROSPHOR	Tin-plated	7000



E121PS 6.35mm PITCH CRIMP 90° WAFER

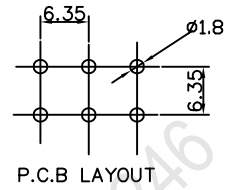
Features:

MAT'L: BODY: NYLON 66 UL94V-2

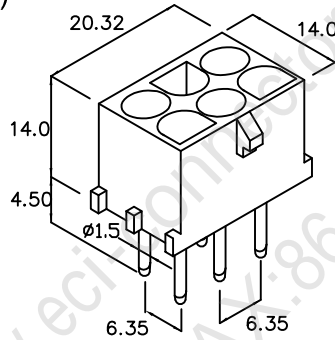
PINS: PHOSPHOR BRONZE TIN PLATED

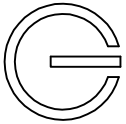
MATES WITH : E121H SERIES HOUSING

ACCEPTS WITH : E121 SERIES TERMINAL



E121PS-06(2*3)





E121H SERIES

6.35mm PITCH WIRE TO BOARD CONNECTOR

● Specifications

Current rating: 13A AC,DC

Voltage rating: 600V AC,DC

Temperature range: -25° C to+85° C
(including temperature rise)

Contact resistance: Initial value/10 m Ω Max.

After environmental testing/20m Ω Max.

Insulation resistance: 1000M Ω MIN.

Withstanding voltage: 1500V AC/minute

Applicable wire: AWG#16-20

● Standards

Assembly layout

